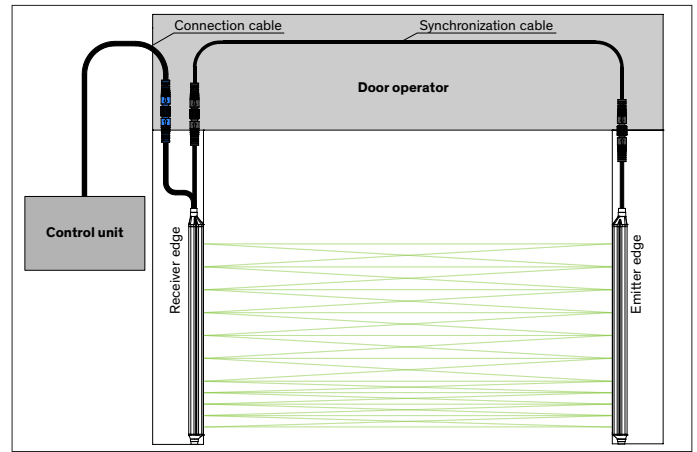
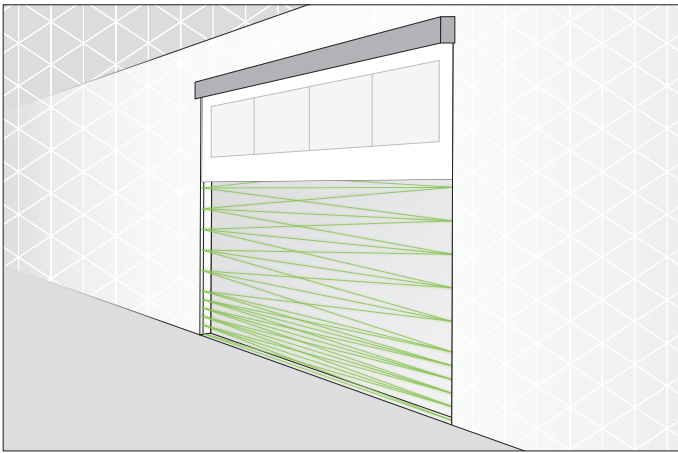


Overview

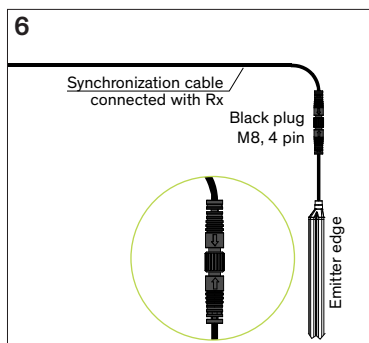
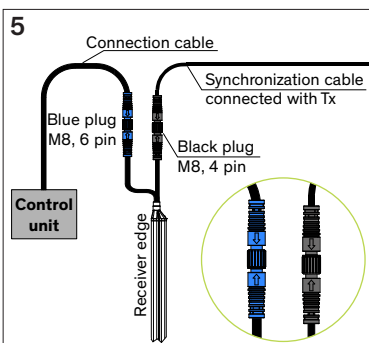
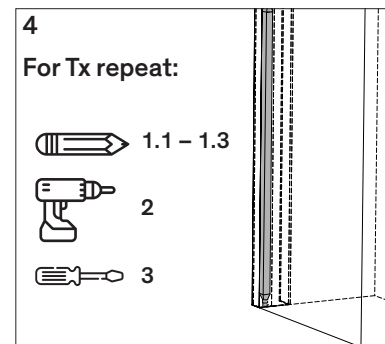
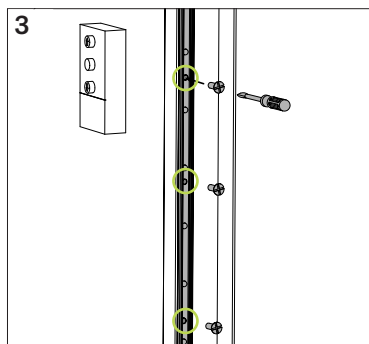
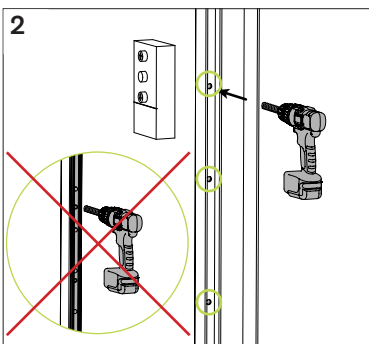
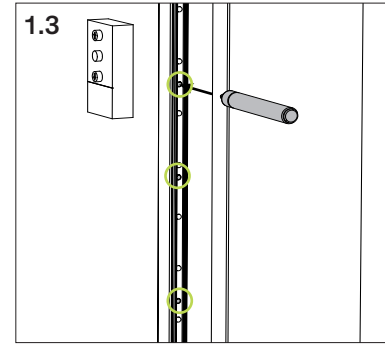
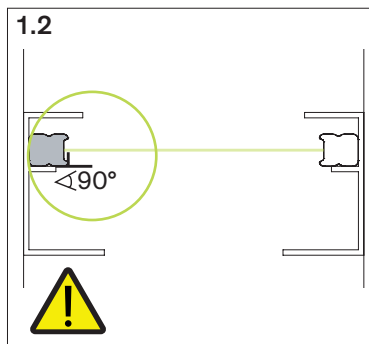
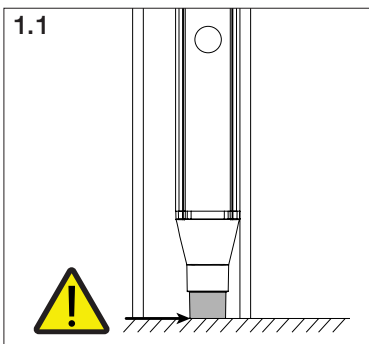


Installation on door

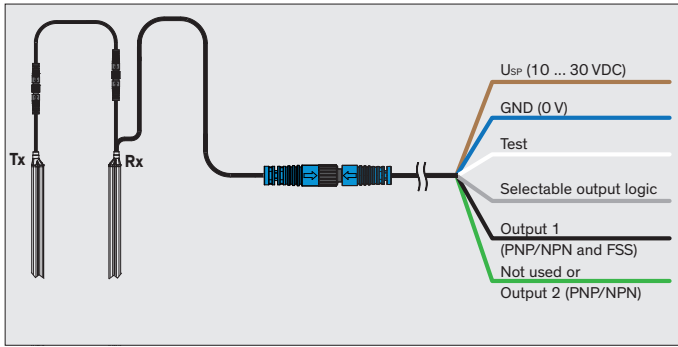


Important:

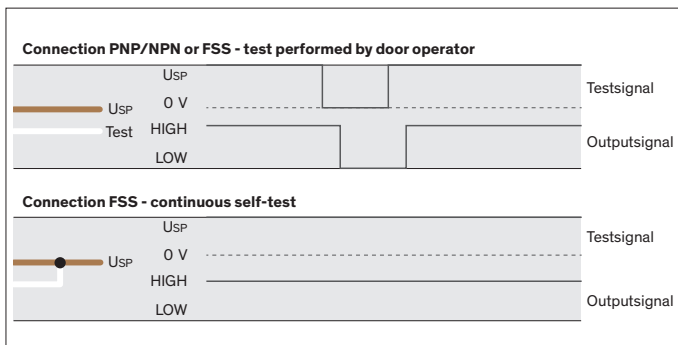
- ▶ Switch off main power and mark door „Out of service“.
- ▶ Mount the receiver edge into the guiding rail next to the door control unit.



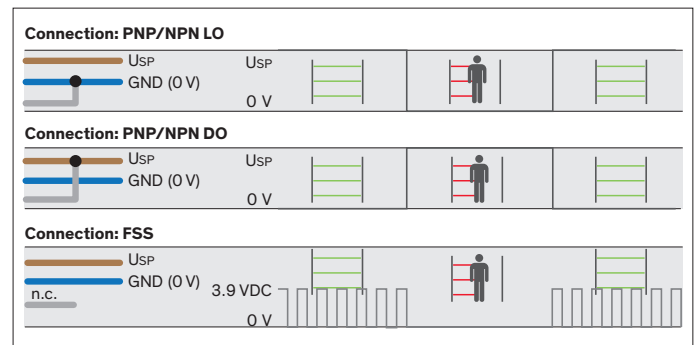
Electrical connection



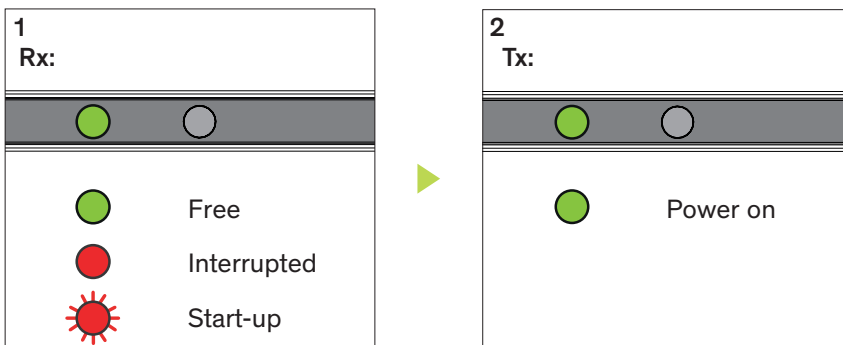
Test connection



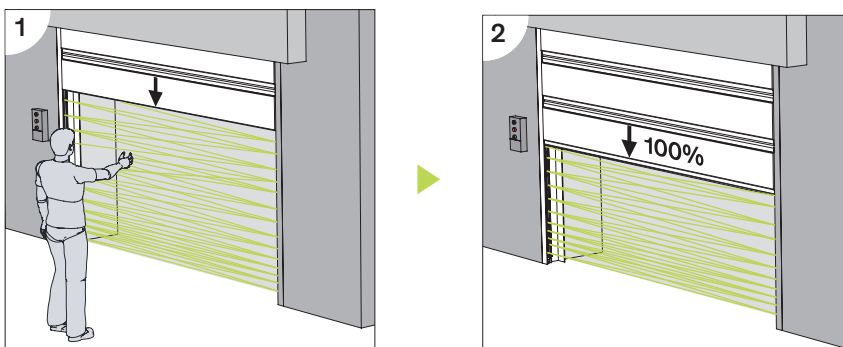
Output selector - Output 1



LED description



Testing



Manual



Product information and movie

www.cedes.com

Complete Installation and Operation Manual and further information

CEDES