

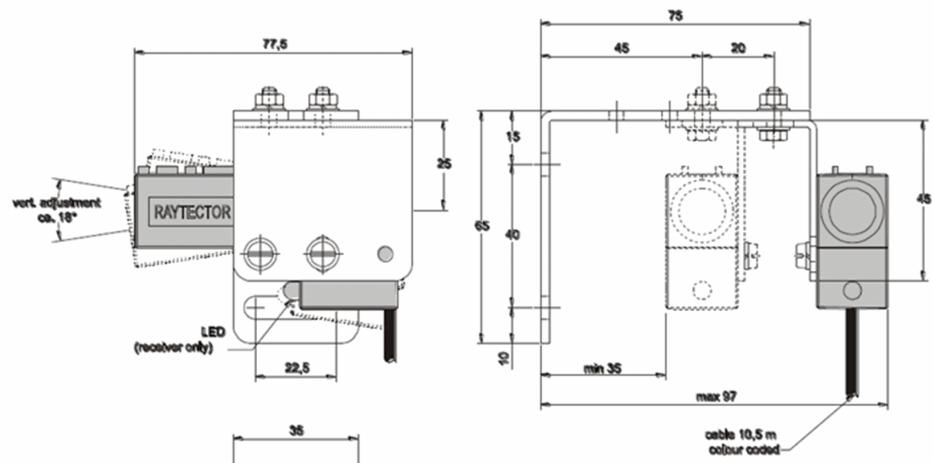
Photo Eyes

RAY-S 1100

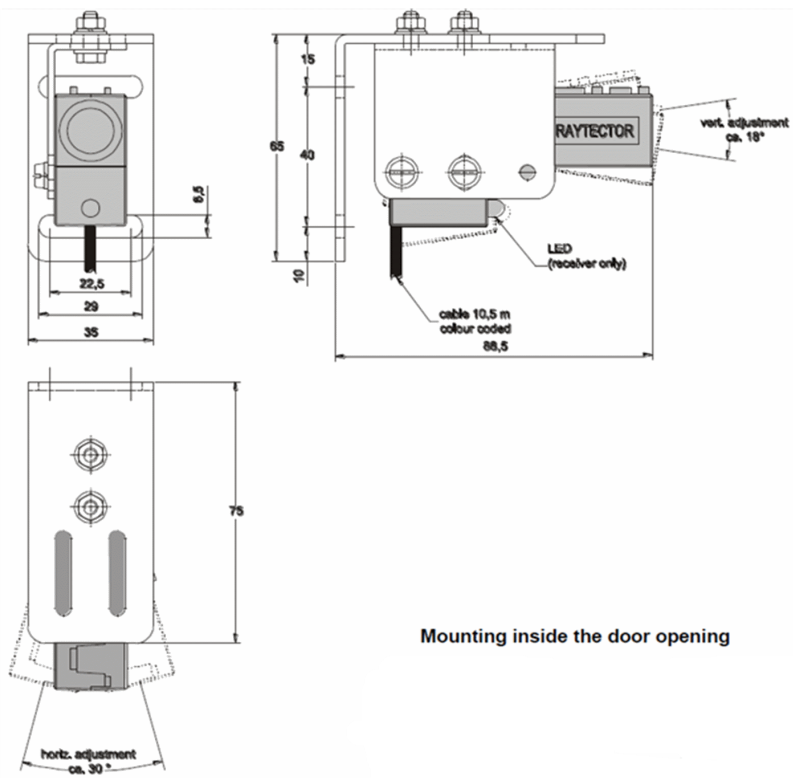
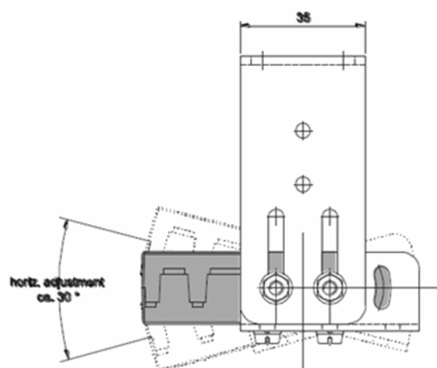


General Data

Technology	Pull-In Protection
Application	Pull-In Protection
Interface	3-Wire OSE
Operation Range	1.5 ... 10 m (4.9 ... 32.8 ft)
Supply Voltage	5 ... 28 VDC
Certification	EN 12978
Mounting	Mounting hole
Connection Cable	10.5 m (34 ft)
Protection Class	IP54
Operation Temperature	-20 ... +55 °C (-4 ... +131 °F)
Power Consumption	60 mA max.
Response Time	32 ms
Housing Material	ABS black
Aperture Angle	Tx/Rx $\leq \pm 5^\circ$
Safety Properties	Safety Category 3, PL c (combined with OSE-C 2323/2324)
Remarks	Mounting hole
Unit of Measure	Piece



Mounting behind the door



Mounting inside the door opening

Compatible Controllers

	Product	Supply Voltage	Input Type of Sensing Edge
	OSE-C 2324	24 VAC/DC	3-Wire
	OSE-C 2300	230 VAC	3-Wire
	OSE-C 2301	24 VDC	3-Wire
	OSE-C 2323	230 VAC	3-Wire
	OSE-C 4024	24 VDC	3-Wire
	OSE-C 5024	24 VAC/DC	3-Wire

Contact



CEDES AG
sales@cedes.com

All dimension in [inch] mm. This drawing and the information contained is for general presentation purposes only. Please refer to the "Download" section for detailed technical drawings. © CEDES AG., All rights reserved. We do not assume responsibility for technical inaccuracies or omissions. Specifications are subject to change without notice.