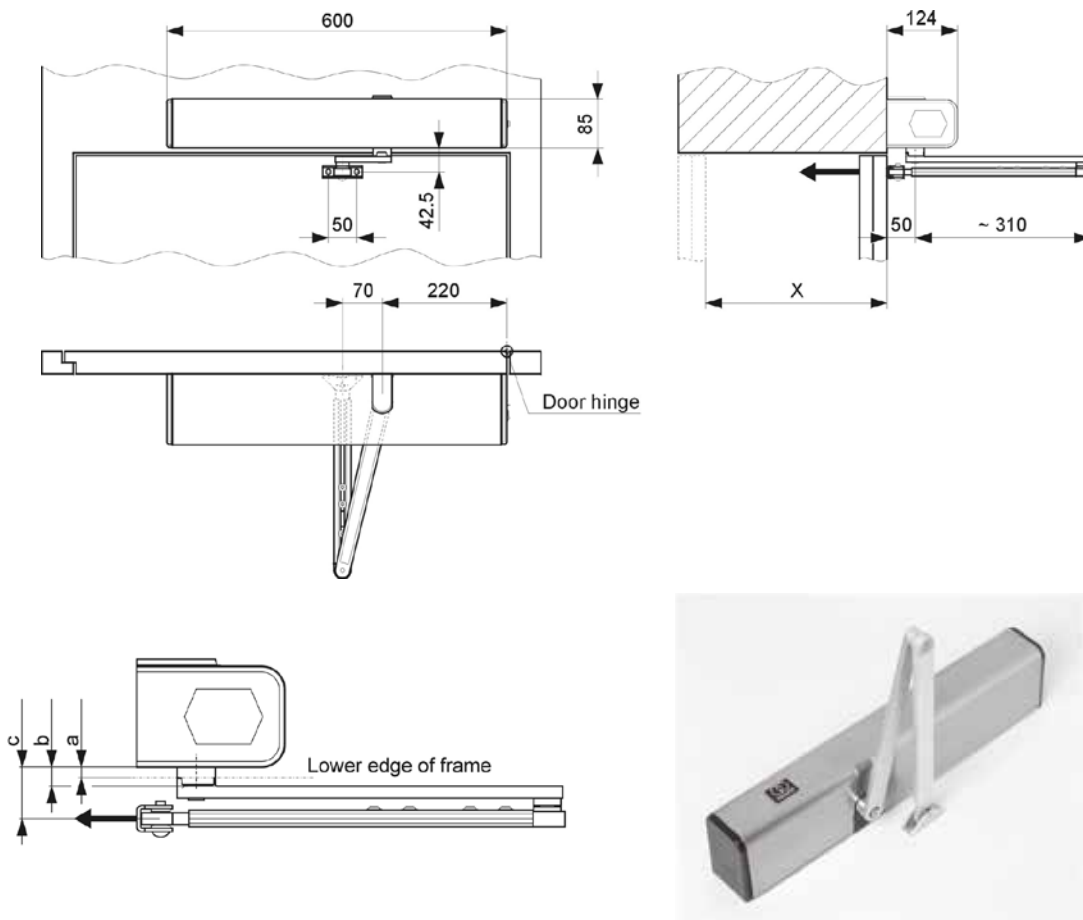


Types of arms record DFA 127

Installation with standard arm



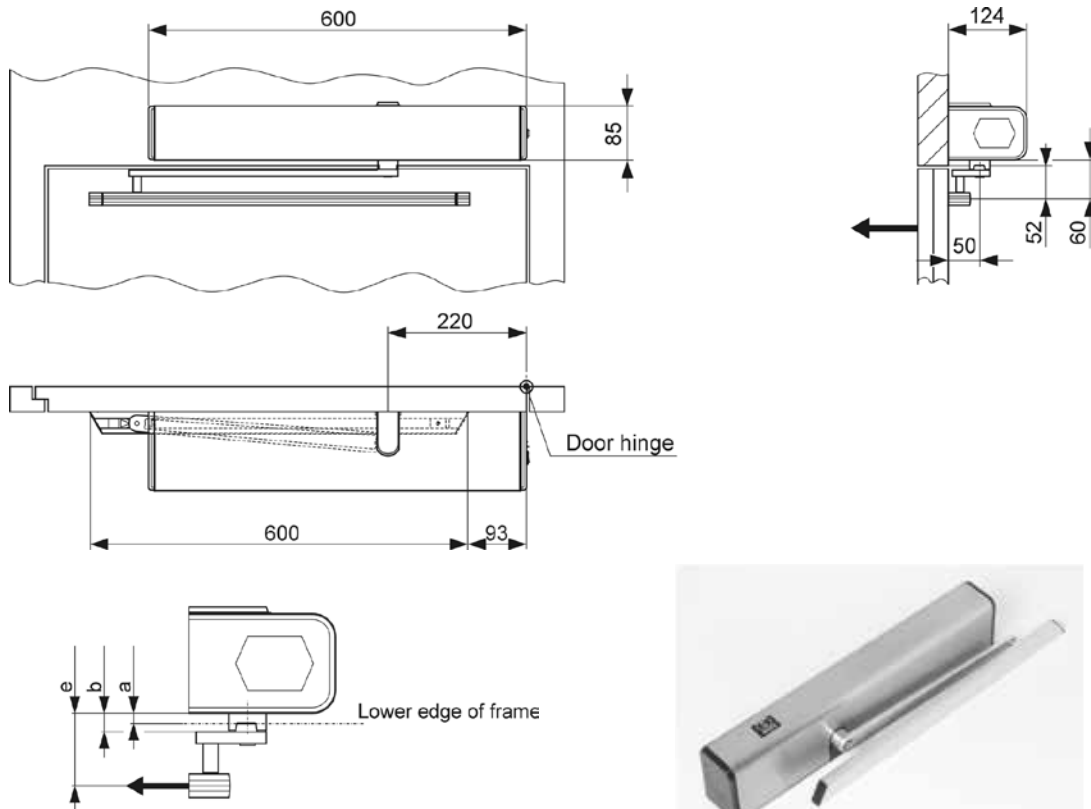
Standard arms	Lever adapter 20	Lever adapter 35	Lever adapter 50	Lever adapter 65	Lever adapter 80
(Dimensions in mm*)	102-127808211	102-127808694	102-127808212	102-127808218	102-127808213
a	8	23	38	53	68
b	15	30	45	60	75
c (= ,D')	42.5	57.5	72.5	87.5	102.5

* The indication of measurements corresponds to the lower edge of the operator. If the measure is taken from the lower edge of the chassis, + 1.5 mm must be added

Standard arms	Lintel dimension X	Article number
	(in mm)	
SG 1	0...120	102-127808184
SG 2	100...220	102-127808215
SG 3	210...330	102-127808216

Types of arms record DFA 127

Installation with sliding arm pushing



Sliding arm pushing	Lever adapter 20	Lever adapter 35	Lever adapter 50	Lever adapter 65	Lever adapter 80
(Dimensions in mm*)	102-127808211	102-127808694	102-127808212	102-127808218	102-127808213
a	8	23	38	53	68
b	15	30	45	60	75
e (= ,D') (pin shaft 25)	60	75	90	105	120
e (pin shaft 18)	53	68	83	98	113
e (pin shaft 10)	45	60	75	90	105

* The indication of measurements corresponds to the lower edge of the operator. If the measure is taken from the lower edge of the chassis, + 1.5 mm must be added

Sliding arm	Lintel dimension X (in mm)	Article number
GG	+/- 10	102-127808183
GG1 (with lever adapter 35)	+/- 10	102-127808697
GG2 (with pin shaft 10)	+/- 10	102-127808980

Accessories	Length	Article number
Pin shaft 25 (standard)	25	102-127108630
Pin shaft 18	18	102-127109505
Pin shaft 10	10	102-127109506



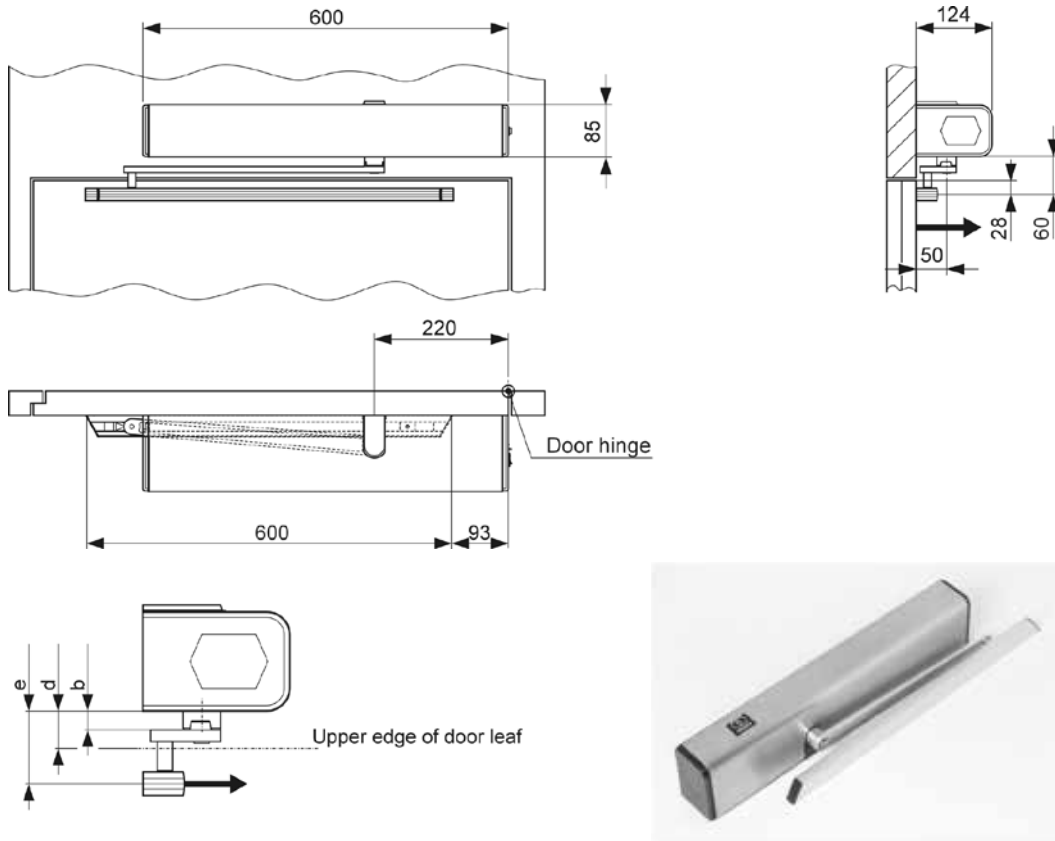
your global partner for entrance solutions

agtatec ag – Allmendstrasse 24 – 8320 Fehraltorf – Schweiz
Tel.: +41 44 954 91 91 – e-mail: info@record.group – web: www.record.group

sliding arm pushing

Types of arms record DFA 127

Installation with sliding arm pulling



Sliding arm pulling	Lever adapter 20	Lever adapter 35	Lever adapter 50	Lever adapter 65	Lever adapter 80
(Dimensions in mm*)	102-127808211	102-127808694	102-127808212	102-127808218	102-127808213
b	15	30	45	60	75
d (= ,D')	32	47	62	77	92
e (pin shaft 25)	60	75	90	105	120
e (pin shaft 18)	53	68	83	98	113
e (pin shaft 10)	45	60	75	90	105

* The indication of measurements corresponds to the lower edge of the operator. If the measure is taken from the lower edge of the chassis, + 1.5 mm must be added

Sliding arm	Lintel dimension X (in mm)	Article number
GG	+/- 10	102-127808183
GG1 (with lever adapter 35)	+/- 10	102-127808697
GG2 (with pin shaft 10)	+/- 10	102-127808980

Accessories	Length	Article number
Pin shaft 25 (standard)	25	102-127108630
Pin shaft 18	18	102-127109505
Pin shaft 10	10	102-127109506



your global partner for entrance solutions

agtatec ag – Allmendstrasse 24 – 8320 Fehraltorf – Schweiz
 Tel.: +41 44 954 91 91 – e-mail: info@record.group – web: www.record.group

sliding arm pulling