



SOMMER



Garage door operators

Reliable and convenient access in the garage





WE DELIVERY THE QUALITY – YOU ENJOY THE CONVENIENCE!

With reliable gate operators from SOMMER, you can be assured of durability for years to come. This is not only because of their high quality and

easy operation, but also because they are meticulously crafted and certified¹⁾, which allows you to find the perfect operator for you.

MADE IN GERMANY



3

YOUR SAFETY WILL ALWAYS BE WHAT DRIVES US

Safety and accident prevention are SOMMER's highest priorities. Our operators are equipped with dependable technology that complies with applicable standards.

Automatic obstacle recognition guarantees optimal protection. The operator reverses if an obstacle

is encountered; ensuring that people, animals or vehicles will not be trapped.

The easy-to-use SOMMER emergency release system allows you to manually open (release) and close (lock) the gate in any position.

The self-locking motor offers effective protection against break-in or unauthorised access. Even in the event of a power failure, your garage or underground garage door is securely locked (closed).

All of these components offer you optimum security in any eventuality.

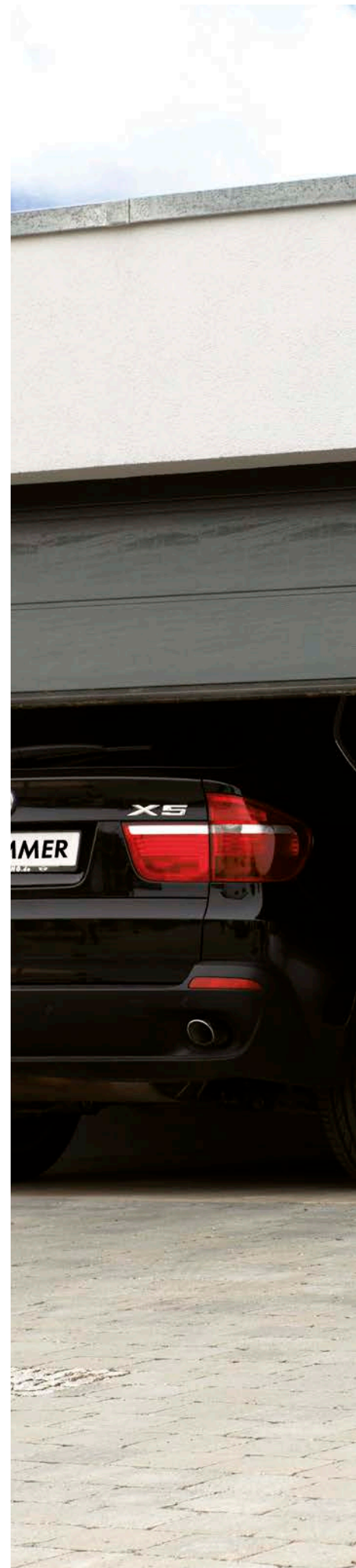
1) An overview of all certified gate operator combinations can be found at: <http://som4.me/cgdo>

GARAGE DOOR OPERATORS:
GEAR SAVING
TECHNOLOGY
WITH HIGH
DURABILITY AND
LOW WEAR


4

[POWERFUL, SAFE, RELIABLE -]
THE SOMMER GARAGE DOOR OPERATOR

Depending on the type and size of your garage door, you can find the appropriate garage door operator for your door system and requirements at SOMMER.







The Dynamic Power System reads in the required force fully automatically and continuously adapts it to the other external conditions, thus providing the highest level of safety and ensuring very quiet opening and closing of the door.

6

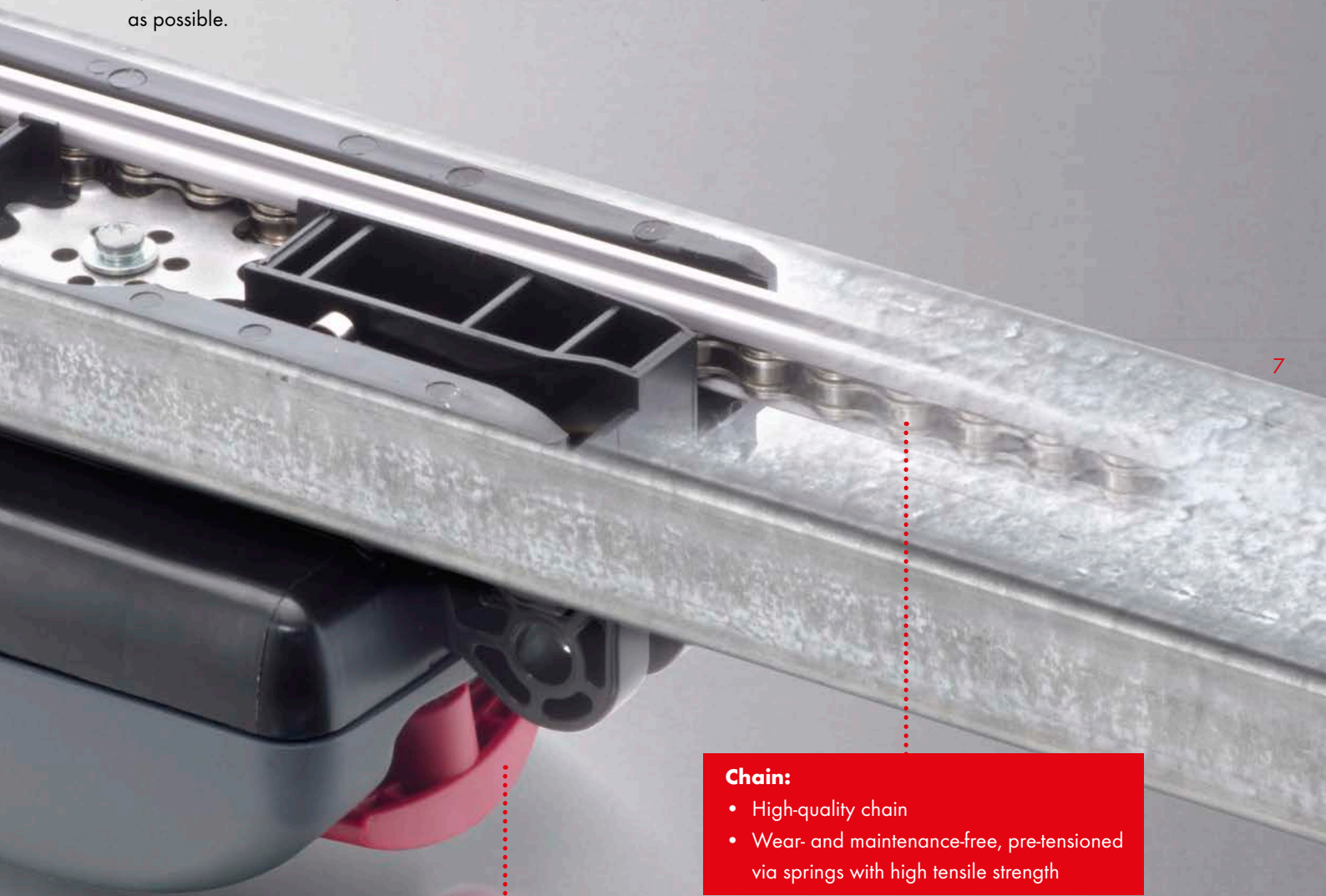
Separate motor controller:

- Integrated radio receiver, interior push-button and lighting
- Automatic obstacle detection with reversion when an obstacle is encountered, thus providing optimal protection for families with children, for example
- Minimisation of load of door and operator as carriage movement (backjump) is minor
- Low-energy consumption
- Regulated soft run without power loss

LONG-LASTING THANKS TO THE TRAVELLING MOTOR

All of our garage door operators are equipped with the travelling motor operator system developed by SOMMER. This reduces wear, lengthens the operator lifetime and ensures operation is as smooth as possible.

The motor track carriage moves itself along a permanently tensioned chain so that no frictional loss and no loss of power occurs as does with an operator with a revolving chain.



Chain:

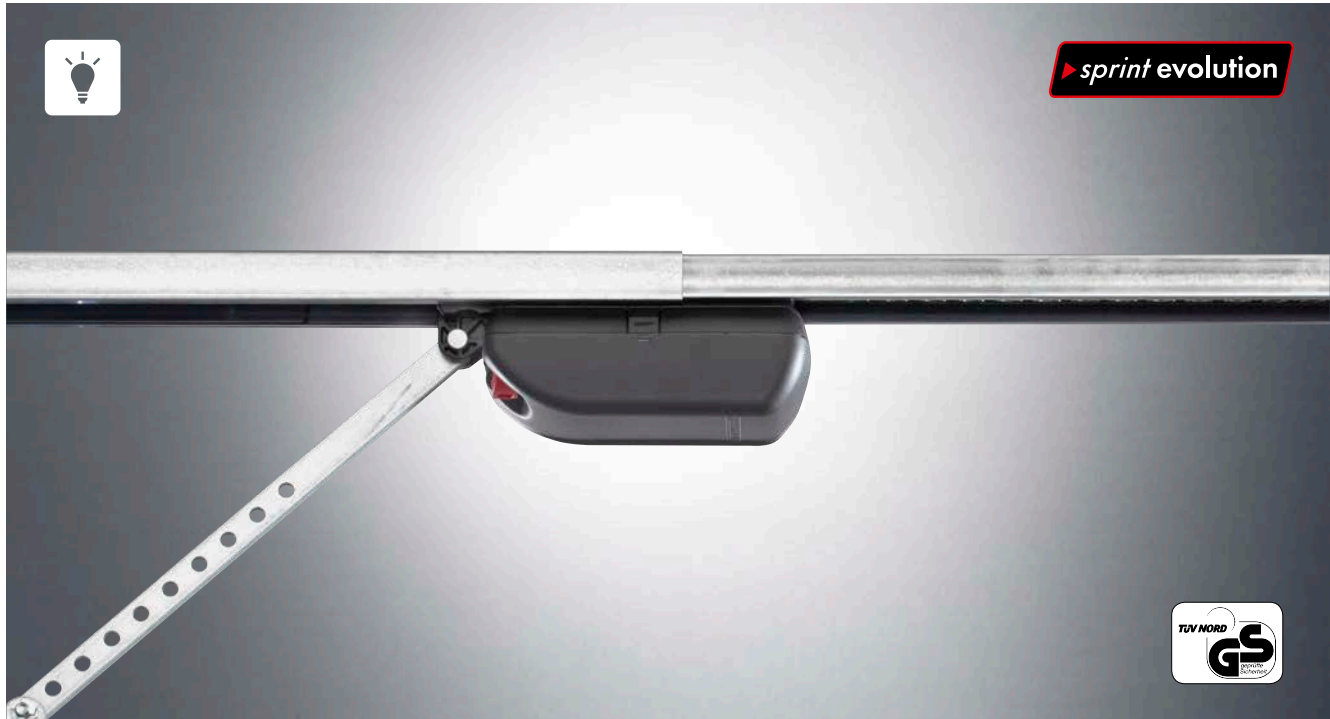
- High-quality chain
- Wear- and maintenance-free, pre-tensioned via springs with high tensile strength

Safety locking system:

With SOMMER garage door operators, the door can be locked and unlocked easily in every position. This makes it possible to open the garage even in the event of a power failure.

sprint evolution

Maximum pulling/driving force 550 N for garage doors up to 4 m wide



8

- Accident prevention by means of electronically-regulated force measurement with DPS - Dynamic Power System
- Controlled soft run in ramp form without power loss
- Connection for a light barrier
- Control unit housing with integrated radio receiver (FM 868.8 MHz Somloq Rollingcode)
- Wall switch with 7 m cable
- Integrated lighting
- Flexible application for every type of door

TECHNICAL DATA	sprint evolution
Item no.	# 2600V000
Max. door width/door height	
Sectional doors	4,000 mm/2,350 mm
Swinging doors	4,000 mm/2,600 mm
Up-and-over doors	3,500 mm/1,900 mm
Side-sectional doors/Side-opening doors	2,350 mm/2,300 mm
Side hinged doors	2,800 mm/2,800 mm
Standard travel length	2,600 mm (extendable)
Max. pulling and pressure force	550 N
Max. running speed	160 mm/s
Power consumption (standby)	~ 7 W
Number of radio memory positions	112



duo vision

Maximum pulling/driving force 800 N for garage doors up to 5.5 m wide



10

- Accident prevention by means of electronically-regulated force measurement with DPS – Dynamic Power System
- Separate control unit housing with integrated lighting for wall and ceiling mounting
- No complex electrical installation necessary because the existing power outlets can be used
- Connection option for a light barrier
- Different operator performances and length of the running rail can be combined exactly to your requirements and your door
- Integrated interior push-button for opening the door in the garage
- duo vision 650 and 800 are particularly energy efficient
- Controlled soft run in ramp form without power loss
- Control unit housing with integrated radio receiver (FM 868.8 MHz Somloq Rollingcode)

TECHNICAL DATA	duo vision 500	duo vision 650	duo vision 800
Item no.	# 3000V000	# 3010V000	# 3020V000
Max. door width/door height			
Sectional doors	3,500 mm/2,350 mm	5,000 mm/2,350 mm	5,500 mm/2,350 mm
Swinging doors	3,500 mm/2,600 mm	5,000 mm/2,600 mm	5,500 mm/2,600 mm
Up-and-over doors	-	4,000 mm/1,900 mm	4,500 mm/1,900 mm
Side-sectional doors/Side-opening doors	2,350 mm/2,300 mm	2,350 mm/3,000 mm	2,350 mm/3,000 mm
Side hinged doors	-	2,800 mm/2,800 mm	2,800 mm/2,800 mm
Travel length (extendable)	2,600 mm	2,600 mm	2,600 mm
Max. pulling and pressure force	500 N	650 N	800 N
Max. running speed	150 mm/s	180 mm/s	130 mm/s
Power consumption (standby)	~ 7 W	~ 2 W	~ 2 W
Number of radio memory positions	112	112	112



Installation examples for the duo vision control: Installation at the rear (1), on the ceiling (2), at the front (3) or directly on the track (4)

duo rapido⁺

Maximum pulling/driving force 650 N for garage doors up to 5 m wide



12

- With a maximum speed of 240 mm/s, your door can open even quicker
- Accident prevention by means of electronically-regulated force measurement with DPS – Dynamic Power System
- Connection option for light barrier including automatic recognition
- Separate control unit housing for easy installation without complex electrical installation, with integrated lighting for wall and ceiling mounting
- Several menu items which can be set separately for optimal door adjustment
- Controlled soft run in ramp form without power loss
- Control unit housing with integrated radio receiver (FM 868.8 MHz Somloq Rollingcode)

TECHNICAL DATA	duo rapido ⁺ 650
Item no.	# 3060V000
Max. door width/door height	
Sectional doors	5,000 mm/2,350 mm
Swinging doors	-
Up-and-over doors	-
Side-sectional doors/Side-opening doors	2,350 mm/3,000 mm
Side hinged doors	-
Travel length (extendable)	2,600 mm
Max. pulling and pressure force	650 N
Max. running speed	240 mm/s
Power consumption (standby)	~ 2 W
Number of radio memory positions	112

marathon SL

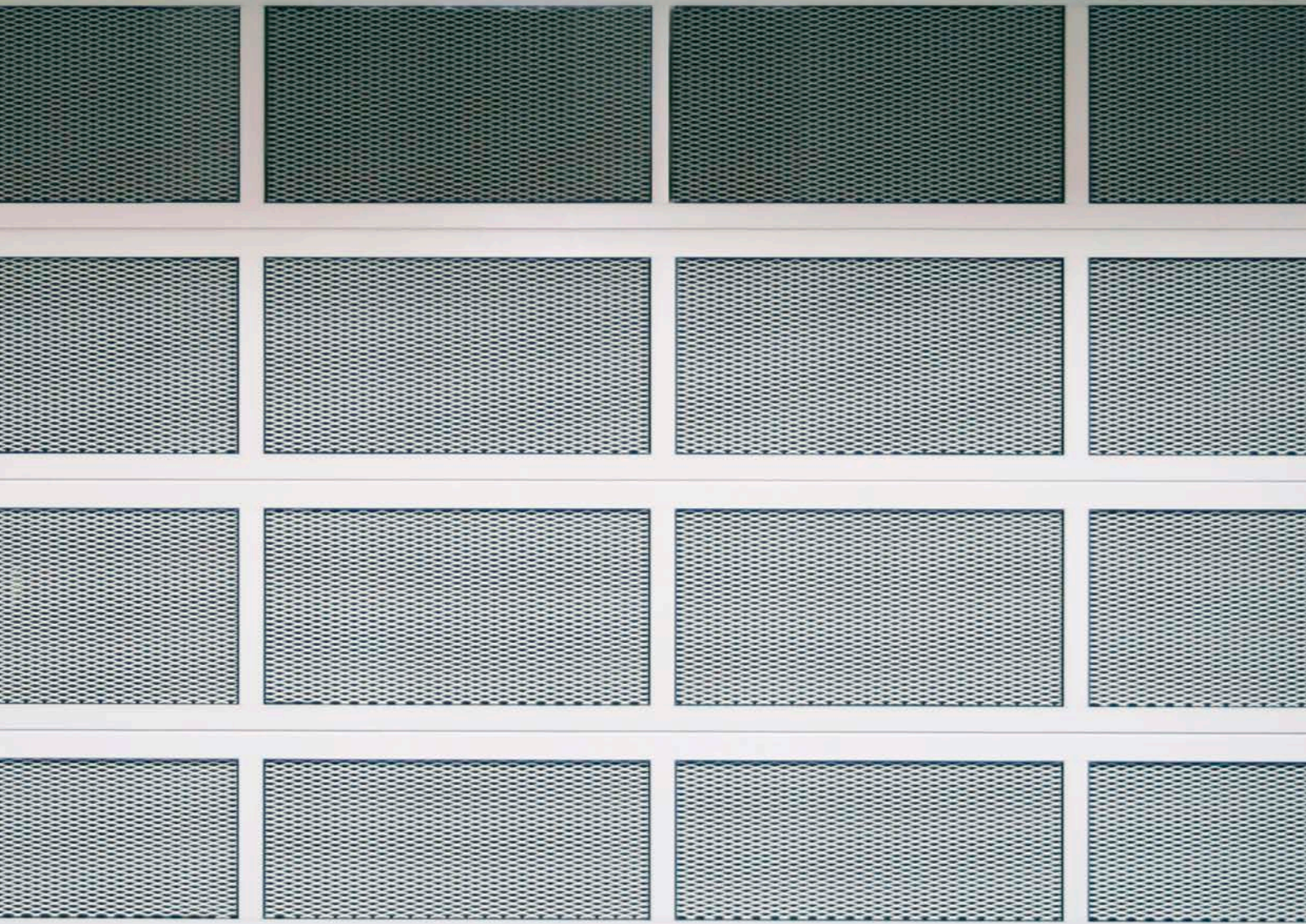
Maximum pulling/driving force 1100 N for garage doors up to 8 m wide



- Different operator performances and length of the running rail can be combined exactly to your requirements and your door
- Integrated lighting and interior push-button with 7 m cable
- Accident prevention by means of electronically-regulated force measurement with DPS - Dynamic Power System
- Controlled soft run in ramp form without power loss
- Low-energy consumption
- Connection option for a light barrier, safety edge or red traffic light
- Evaluation for electrical (8.2 kOhm) or optical safety edges activated, no additional evaluation unit necessary
- Control unit housing with integrated radio receiver (FM 868.8 MHz Somloq Rollingcode)

13

TECHNICAL DATA	marathon 550 SL	marathon 800 SL	marathon 1100 SL
Item no.	# 4250V000	# 4570V000	# 4580V000
Max. door width/door height			
Sectional doors	5,000 mm/2,350 mm	6,000 mm/2,350 mm	8,000 mm/2,350 mm
Swinging doors	5,000 mm/2,600 mm	6,000 mm/2,600 mm	8,000 mm/2,600 mm
Up-and-over doors	4,000 mm/1,900 mm	5,500 mm/1,900 mm	7,500 mm/1,900 mm
Side-sectional doors/Side-opening doors	2,350 mm/2,500 mm	2,350 mm/3,000 mm	2,350 mm/3,500 mm
Side hinged doors	2,800 mm/2,800 mm	2,800 mm/2,800 mm	2,800 mm/2,800 mm
Travel length (extendable)	2,600 mm	2,600 mm	2,600 mm
Max. pulling and pressure force	550 N	800 N	1,100 N
Max. running speed	180 mm/s	130 mm/s	130 mm/s
Power consumption (standby)	~ 2 W	~ 2 W	~ 2 W
Number of radio memory positions	112	112/448	112/448



UNDERGROUND AND GROUP
GARAGE DOOR DRIVES:

MOVING THINGS **UP!**



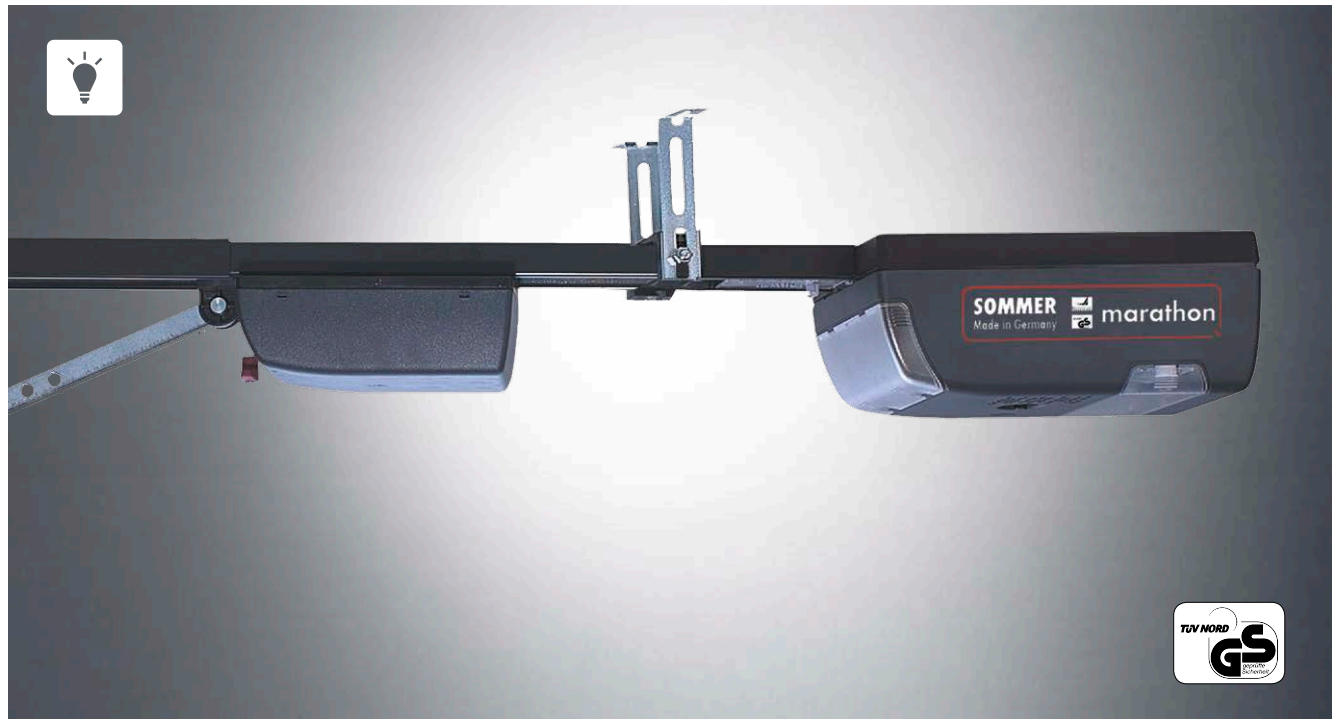
15

MOVING THE HEAVIEST DOORS WITH LOW POWER CONSUMPTION, HIGH-QUALITY COMPONENTS AND EXCELLENT ACCIDENT PREVENTION

Door operators for group garages and underground parking facilities need to be extremely tough. They are in constant use and hardly ever get a break. The gate operators from SOMMER are not only optimised for commissioning and daily use, but also for the connection of countless accessories.

marathon tiga SL

Maximum pulling/driving force 1100 N for garage doors up to 8 m wide



16

- Easy to install due to separate traffic light control unit (for two-way traffic control), can be installed on the wall, for example
- Accident prevention by means of electronically-regulated force measurement with DPS - Dynamic Power System
- Controlled soft run in ramp form without power loss
- Low-energy consumption
- Wall switch with 7 m cable
- Connection for a light barrier and safety edge
- Integrated evaluation for electrical (8.2 kOhm) or optical safety edges
- Requirements separate for inside and outside radio and/or push-button commands
- With integrated radio receiver
- Control unit housing with integrated radio receiver (FM 868.8 MHz Somloq Rollingcode)

TECHNICAL DATA	800 SL	1100 SL
Item no.	# 4577V000	# 4587V000
Max. door width/door height		
Sectional doors	6,000 mm/2,350 mm	8,000 mm/2,350 mm
Swinging doors	6,000 mm/2,600 mm	8,000 mm/2,600 mm
Up-and-over doors	5,500 mm/1,900 mm	7,500 mm/1,900 mm
Side-sectional doors/Side-opening doors	2,350 mm/3,000 mm	2,350 mm/3,500 mm
Side hinged doors	2,800 mm/2,800 mm	2,800 mm/2,800 mm
Travel length (extendable)	2,600 mm	2,600 mm
Max. pulling and pressure force	800 N	1,100 N
Max. running speed	130 mm/s	130 mm/s
(Standby) wattage	~ 2 W	~ 2 W
Number of radio memory positions	448	448

marathon tiga SLX

Maximum pulling/driving force 1100 N for garage doors up to 8 m wide



- With separate control unit housing for wall installation including traffic light control unit (two-way traffic control)
- Control system can be disconnected from the mains by means of the main switch and is lockable
- Just a simple connecting cable needs to be run along the ceiling
- All control elements in one housing
- Ample space in the new housing for additional electronic components (time clock, stairwell lights ...)
- Control unit housing with integrated radio receiver (FM 868.8 MHz Somloq Rollingcode)

17

TECHNICAL DATA	800 SLX	1100 SLX
Item no.	#4510V000	#4520V000
Max. door width/door height		
Sectional doors	6,000 mm/2,350 mm	8,000 mm/2,350 mm
Swinging doors	6,000 mm/2,600 mm	8,000 mm/2,600 mm
Up-and-over doors	5,500 mm/1,900 mm	7,500 mm/1,900 mm
Side-sectional doors/Side-opening doors	2,350 mm/3,000 mm	2,350 mm/3,500 mm
Side hinged doors	2,800 mm/2,800 mm	2,800 mm/2,800 mm
Travel length (extendable)	2,600 mm	2,600 mm
Max. pulling and pressure force	800 N	1,100 N
Max. running speed	130 mm/s	130 mm/s
(Standby) wattage	~ 2 W	~ 2 W
Number of radio memory positions	448	448

THE RIGHT SOMMER ACCESSORIES FOR THE PERFECT GATE SYSTEM



Sectional door



Swinging door



Side sectional door

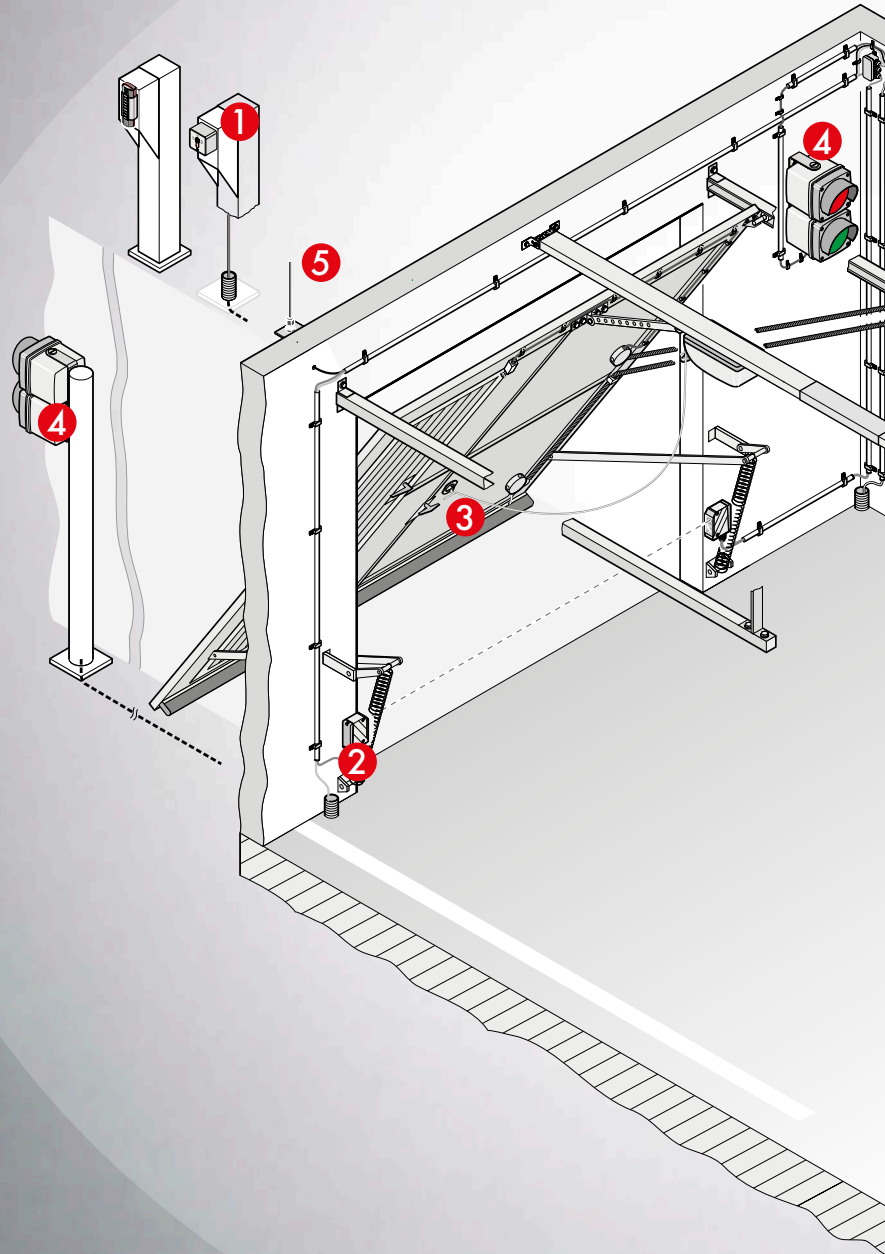


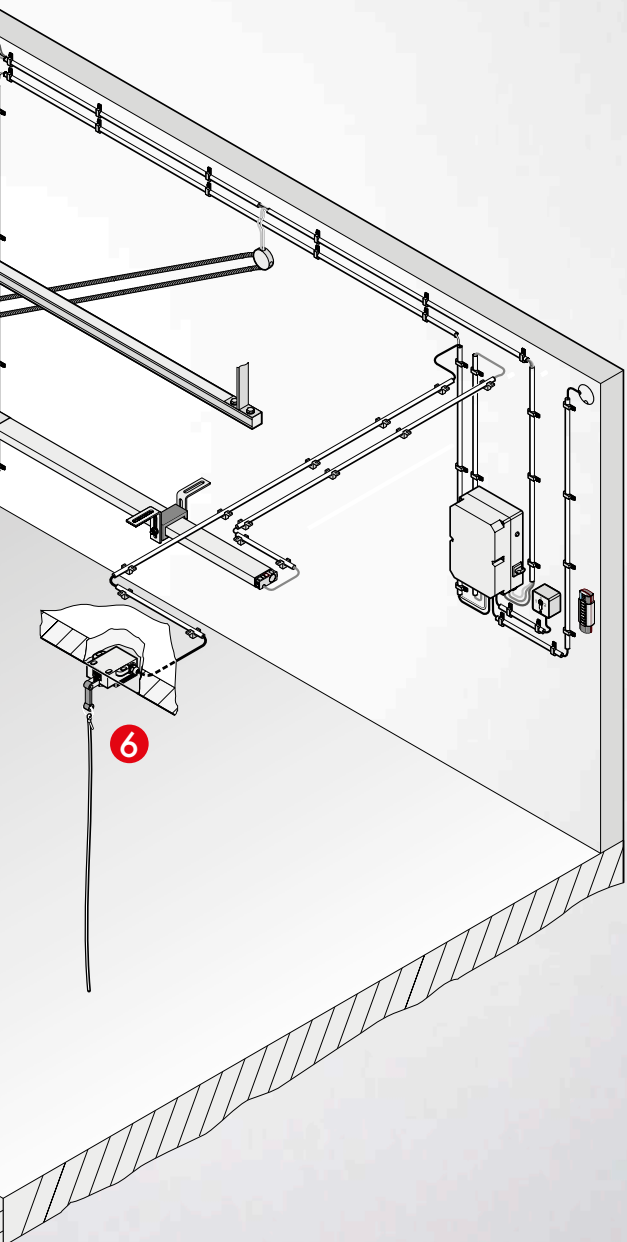
Hinged double door



Up-and-over door

18





ADDITIONAL EXTENSIONS FOR YOUR APPLICATIONS

1 Key switch

allows the gate system to be operated only by authorised persons with a key

2 Light barriers

detecting obstacles when the beam of light is obstructed and preventing the gate from closing, they can be installed in a variety of scenarios and are even suitable for outdoor installation

3 Emergency release lock

for fast and safe emergency unlocking, for example in a power failure, when no separate access to the garage exists. Suitable for all sectional doors, side-sectional doors, side-opening doors and side-hinged doors.

4 LED traffic light for group and underground garages

for optical two-way traffic control of your door system. Offers durability for more than 30,000 hours and is well-suited for both outdoor and indoor use

5 Rod antenna

for ensuring a stable radio range

6 Pull button for group and underground garages

for conveniently opening the door by hand from the car

Bowden wire

for door emergency release

Warning light

for additional optical hazard detection

IT'S IN YOUR HANDS

... AND YOU WILL BE AMAZED BY WHAT CAN BE OPERATED BY RADIO TECHNOLOGY AND HOW MUCH CONVENIENCE YOU'LL GAIN

Our radio solutions allow you to have individual freedom over your own home automation systems; in the garden or in the garage.

At SOMMER, security and convenience go hand in hand. Only when you have that peace of mind can you fully reap the benefits of our limitless radio options.

EASY CONVERSION AND RETRO-FITTING WITH RADIO RECEIVERS

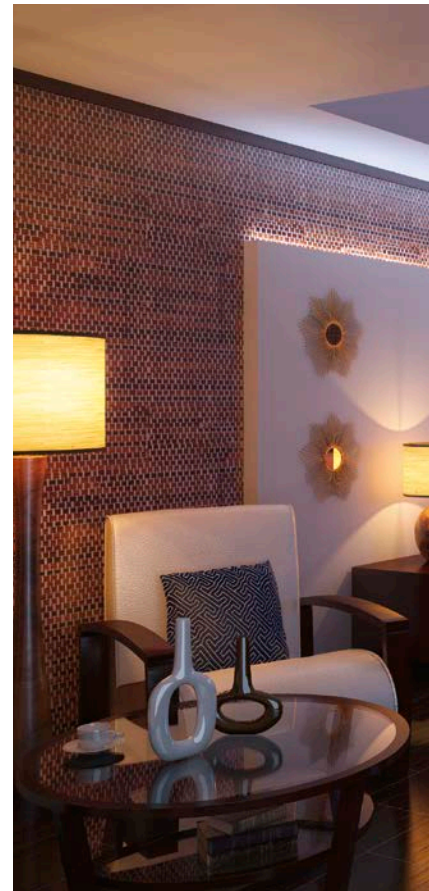
20

Radio receiver

The radio receiver in the power outlet housing is well-suited for converting and retro-fitting door operators and the Somloq Rollingcode radio system.



#7021V000



Radio power socket

The radio power socket makes it possible to operate various applications and devices by radio, such as lamps or fountains, using your built-in radio receiver.



#7017V000



Transmitters

Whether a transmitter or Telecody, at SOMMER you'll find the right product, for a few to many applications and application areas, private or commercial.



#4035V002
Ruby

#4019V000
Pearl Vibe

#4071V000
Telecody



Access systems

With the biometric recognition feature of SOMMER fingerprint systems, you can open garage doors and yard gates with one gentle finger motion. The radio code switches allow you to open your garage doors and yard gates with an individually programmable digit code.



#4090V000
ENTRApin

#5052V000
ENTRAsys GD

#5058V000
#5059V000
ENTRAsys FD

21



Radio wall switches

Your home automation applications, such as operators, blinds, roller shutters or awnings, can be operated conveniently at the push of a button using the indoor radio switches.



#4762V001

#4762V000

SECURITY ASSURED WITH THE PERFECT SOLUTION



22

GARAGE DOOR OPERATORS

UNDERGROUND PARKING
GARAGE DOOR OPERATORS

SWING AND SLIDING GATE
OPERATORS

RADIO TECHNOLOGY

HOME AUTOMATION

ACCESS CONTROL SYSTEMS





- ROLLER SHUTTER OPERATORS
- AWNING DRIVES
- ROLLER DOOR CONTROL UNITS
- INDUSTRIAL DOOR OPERATORS
- PARKING AND BLOCKING SYSTEMS
- ACCESSORIES



DEEN #65054V001-07/15 - Subject to misprints, errors and technical changes.



SOMMER ANTRIEBS- UND FUNKTECHNIK GMBH
HANS-BÖCKLER-STR. 21-27 | D-73230 KIRCHHEIM/TECK
PHONE +49 (0)7021/8001-0 | FAX +49 (0)7021/8001-100
INFO@SOMMER.EU | WWW.SOMMER.EU



SOMMERGMBH



SOMMER_GMBH