

NOVOSHAF

OPERATORS FOR DOORS WITH WEIGHT COMPENSATION

AT A GLANCE



Plug-on shaft operator for industrial sectional doors

Suitable for doors up to 400 kg

Combinable with all TORMATIC control unit types

Variable release types for every situation

Digital limit switch in integrated

Version „Fast chain“ (SK)

Item no.

NovoShaft 5.24-25.40 SK 153110-15-1-50

NovoShaft 9.24-25.40 SK 153110-01-1-50

NovoShaft 9.24 WS-25.40 SK 153110-08-1-50

Opens the door with a light pull at the chain.

With extension chains it is also possible to open from the floor out.

Version „Release“ (ER)

Item no.

NovoShaft 9.24-25.40 ER 153110-03-1-50

NovoShaft 9.24 WS-25.40 ER 153110-12-1-50

Opens the door with a light pull at the chain.

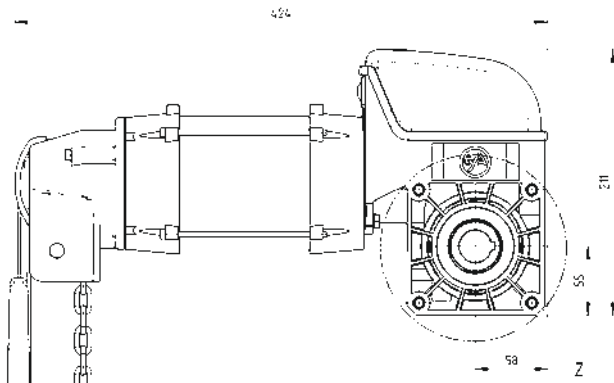
Separate crash safety is required.

There are further types of NovoShaft available. You will receive further information on request.

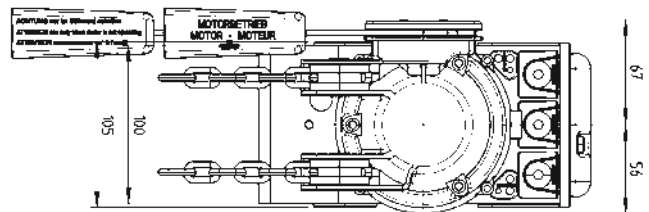
FAST CHAIN (SK)

RELEASE (ER)

	9.24-25.40	9.24 WS-25.40	9.24-25.40	9.24 WS-25.40
Motor version	Three-phase current	Alternating current	Three-phase current	Alternating current
Operator torque	90 Nm	90 Nm	90 Nm	90 Nm
Number of revolutions	24 min-1	24 min-1	24 min-1	24 min-1
Quilt shaft diameter	ø 25.4 mm	ø 25.4 mm	ø 25.4 mm	ø 25.4 mm
Static holding torque (Mstat)	450 Nm	450 Nm	450 Nm	450 Nm
Max. door weight	4000 N	4000 N	4000 N	4000 N
Operating voltage	3x230 V / 400 V-50 Hz	1x230 V / 400 V-50 Hz	3x230 V / 400 V-50 Hz	1x230 V / 400 V-50 Hz
Nominal current of motor	2.1 / 1.2 A	3.9 A	2.1 / 1.2 A	3.9 A
Duty cycle of motor	S3-60 % ED	S3-20 % ED	S3-60 % ED	S3-20 % ED
Max. cycles	20/h	16/h	20/h	16/h
On-site supply line / fuse	5 x 1.5 ² / 10 A	3 x 1.5 ² / 10 A	5 x 1.5 ² / 10 A	3 x 1.5 ² / 10 A
Limit switch range	1:20	1:20	1:20	1:20
Packaging weight	15 kg	16 kg	15 kg	15 kg
Protection category	IP 54	IP 54	IP 54	IP 54
Operating temperature	- 5° C / + 40° C	- 5° C / + 40° C	- 5° C / + 40° C	- 5° C / + 40° C
Permanent acoustic pressure level	< 70 dB(A)	< 70 dB(A)	< 70 dB(A)	< 70 dB(A)



Graphic example for NovoShaft 9.24



NovoShaft 9.24 (Version „Fast chain“ (SK))